

CREATIVE TOUCH

INTERACTIVE FLAT PANEL DISPLAYS CUSTOM-BUILT MOUNTING SOLUTIONS

Compatible with the Optoma 3-Series and 5-Series



The perfect solution for every classroom or meeting space

Create a safe and secure environment with interactive flat panel displays (IFPDs) that are easy to operate. The Optoma Creative Touch IFPD mounting solutions are custom-built to support all Optoma 3-Series and 5-Series IFPDs - 65", 75" or 86".

FLOOR SUPPORTED, MOTORISED WALL LIFT WITH ANTI-COLLISION



Silent and smooth motor

The motorised lift moves smoothly with near-silent motion in ambient noise environments.

Anti-collision

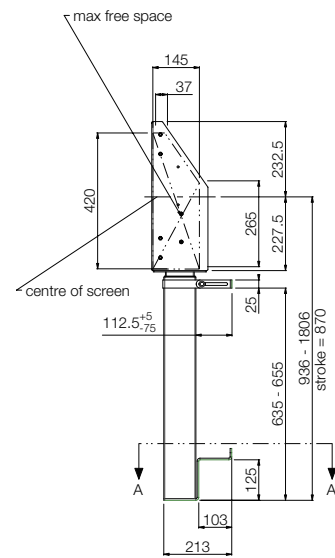
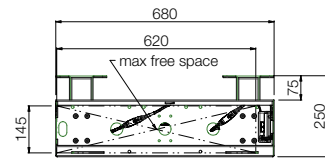
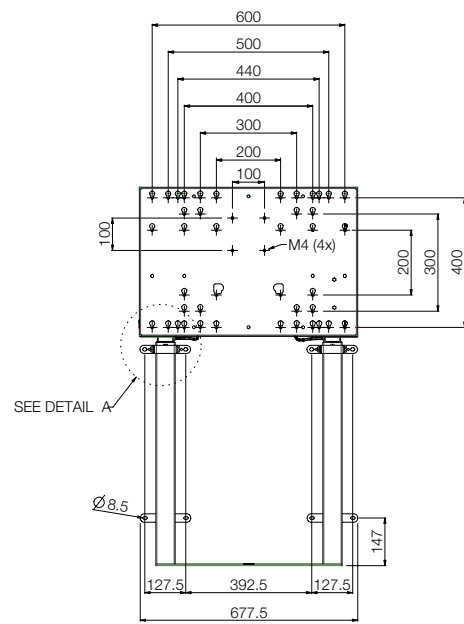
The anti-collision sensor ensures the IFPD height position can be changed safely to avoid accidents or damage to property.

Stable and robust

Double columns for extra stability – essential for IFPD mounting solutions.

Big screen support

Supports screen sizes up to 86" (up to 120kg) with the included extension bracket.



MOUNTING KITS INCLUDING WHITEBOARDS



Purpose built for a seamless fit

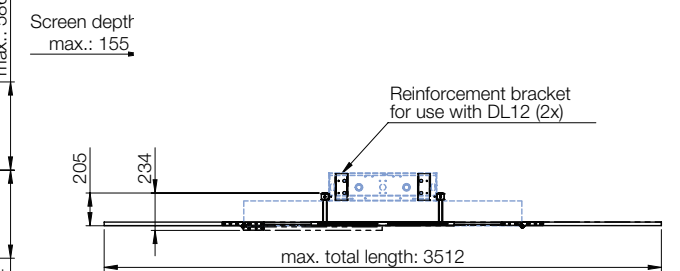
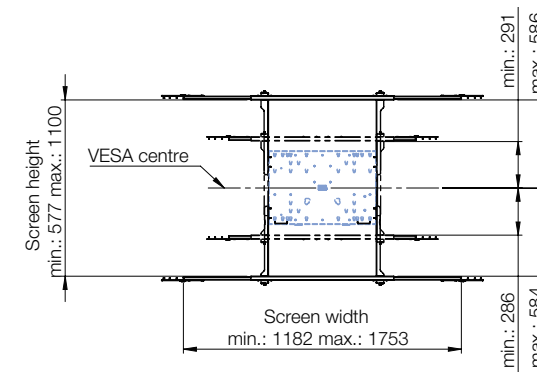
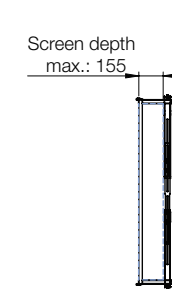
These whiteboards are made to measure leaving no room for unsightly gaps or mismatched hardware.

Enamel steel sides and aluminium frame

Compared to lacquered steel, enamel steel offers no usage stains of the markers on the whiteboard for maximum reliability.

Combine with lift options

Whiteboards are designed to be combined with our motorised height adjustable IFPD lift options for a complete solution - suitable for any classroom or educational setting.



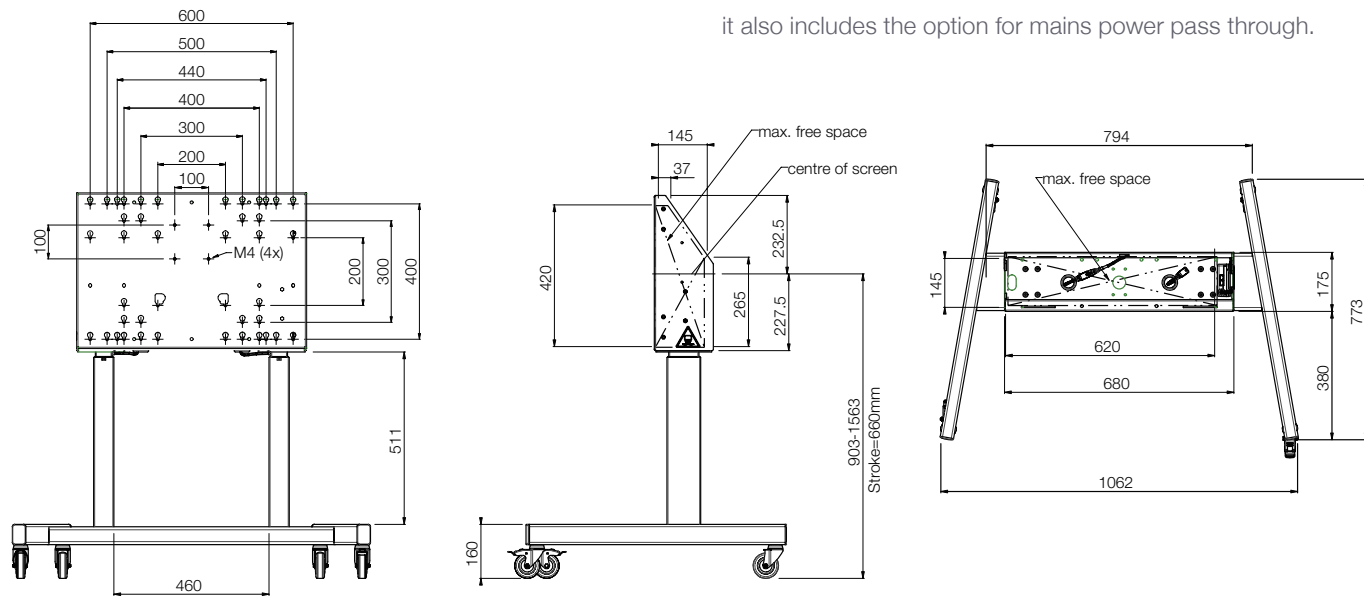
MOTORISED FLOOR LIFT ON WHEELS WITH ANTI-COLLISION



Fully featured and built to last
Supporting the same screen sizes as the wall lift, our motorised trolley is built to last with a smooth lifting motion with anticollision sensors.

Flexible, stable and robust
When mobility is involved, having a stable and robust solution is even more important. Our motorised trolley has been designed to withstand being moved to different locations on the same floor – even when combined with an 86" IFPD.

Easy storage and mains pass through
The trolley has a simple storage compartment for additional items such as a small form factor PC. For added convenience, it also includes the option for mains power pass through.



RANGE SPECIFICATION

| MODEL | OPTOMA DESCRIPTION | NET WEIGHT KG | GROSS WEIGHT KG | L x W x D (PACKAGED PRODUCT) (M) | UNITS PER FULL PALLET | L x W x D (PALLETISED PRODUCT) (M) |
|--------------------|---|---------------|-----------------|----------------------------------|-----------------------|------------------------------------|
| 062.7205B | Motorised floor lift on wheels with anti-collision for IFPD | 41 | 48 | 1.06 x 0.80 x 0.22 | 6 | 1.06 x 0.8 x 1.32 |
| 052.7150B | Floor supported, motorised wall lift with anti-collision for IFPD | 33.55 | 39.3 | 0.76 x 0.56 x 0.24 | 8 | 0.76 x 0.56 x 1.92 |
| 152.0110-ES-3651RK | Mounting kits incl. Whiteboard for IFPD (3651RK) | 10 | 10 | 0.93 x 0.28 x 0.08 | 33 | 1.25 x 0.85 x 1.00 |
| 152.0120-ES-3751RK | Mounting kits incl. Whiteboard for IFPD (3751RK) | 15 | 15 | 0.93 x 0.28m x 0.08 | 48 | 1.40 x 1.00 x 1.05 |
| 152.0120-ES-3861RK | Mounting kits incl. Whiteboard for IFPD (3861RK) | 15 | 15 | 1.40 x 0.25 x 0.08 | 48 | 1.40 x 1.00 x 1.05 |
| 152.0110-ES-5651RK | Mounting kits incl. Whiteboard for IFPD (5651RK) | 10 | 10 | 0.93 x 0.28 x 0.08 | 33 | 1.25 x 0.85 x 1.00 |
| 152.0120-ES-5751RK | Mounting kits incl. Whiteboard for IFPD (5751RK) | 15 | 15 | 1.40 x 0.25 x 0.08 | 48 | 1.40 x 1.00 x 1.05 |
| 152.0120-ES-5861RK | Mounting kits incl. Whiteboard for IFPD (5861RK) | 15 | 15 | 1.40 x 0.25 x 0.08 | 48 | 1.40 x 1.00 x 1.05 |

FULL SETS



Trolley 062.7205 with 152.0110 whiteboard frame and 65" whiteboard set
3 complete sets on 1 pallet.
1.20m x 0.80m x 1.45m 235 KG



Trolley 062.7205 with 152.0120 whiteboard frame and 75"/86" whiteboard set
3 complete sets on 1 pallet.
75": 1.20m x 0.90m x 1.45m 250 KG
86": 1.30m x 1.00m x 1.45m 255 KG



Wall lift 052.7150 with 152.0110 whiteboard frame and 65" whiteboard set
4 complete sets on 1 pallet.
1.20m x 0.80m x 1.00m 180 KG



Wall lift 052.7150 with 152.0120 whiteboard frame and 75"/86" whiteboard set
4 complete sets on 1 pallet.
75": 1.20m x 0.90m x 1.00m 195 KG
86": 1.30m x 1.00m x 1.00m 200 KG





“We recommended the Optoma IFP because it is so much more cutting-edge than a standard projected display and will give the library more flexibility in this multi-function meeting space. You can interact with these displays in so many ways such as the voting functionality to take polls, screensharing, annotating documents and much more.”

Peter Harvey | Team Leader at Hughes

optoma.com