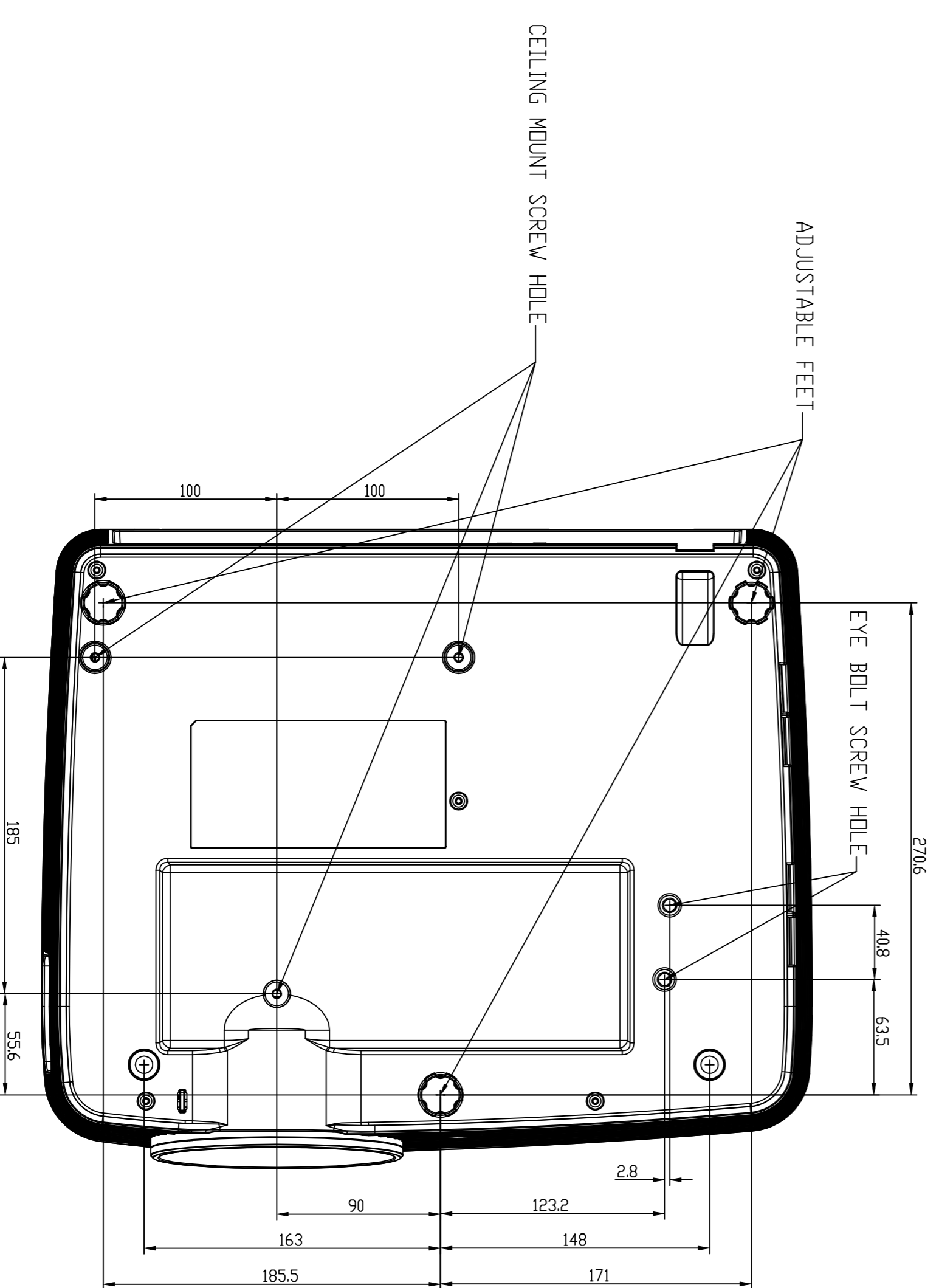
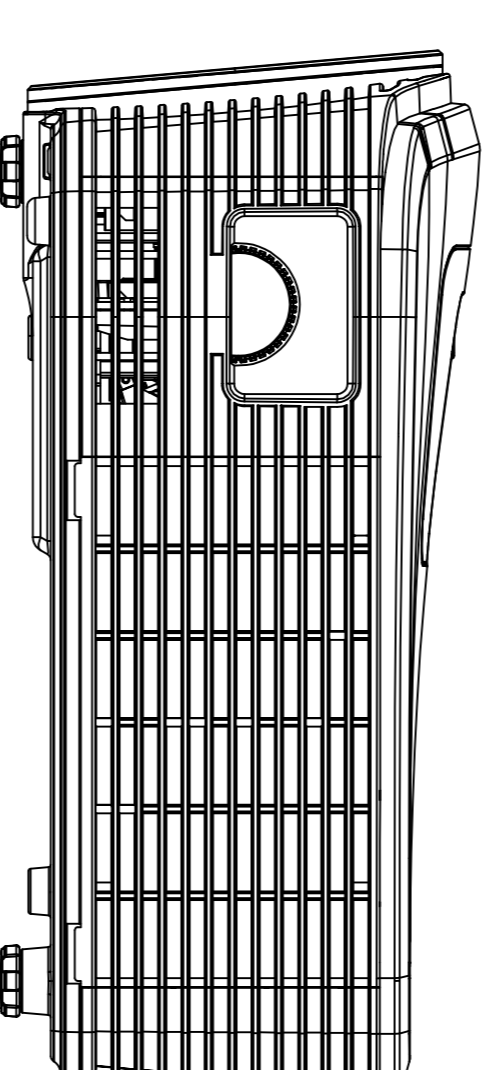
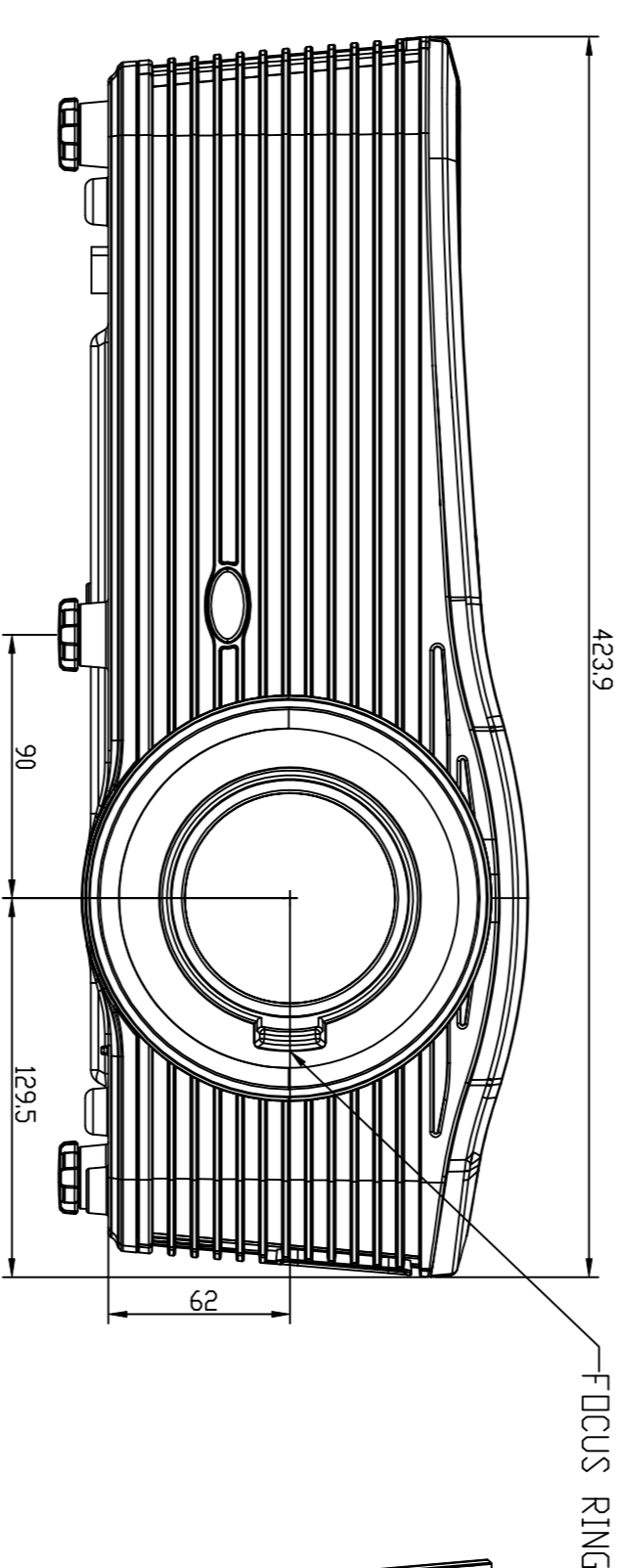
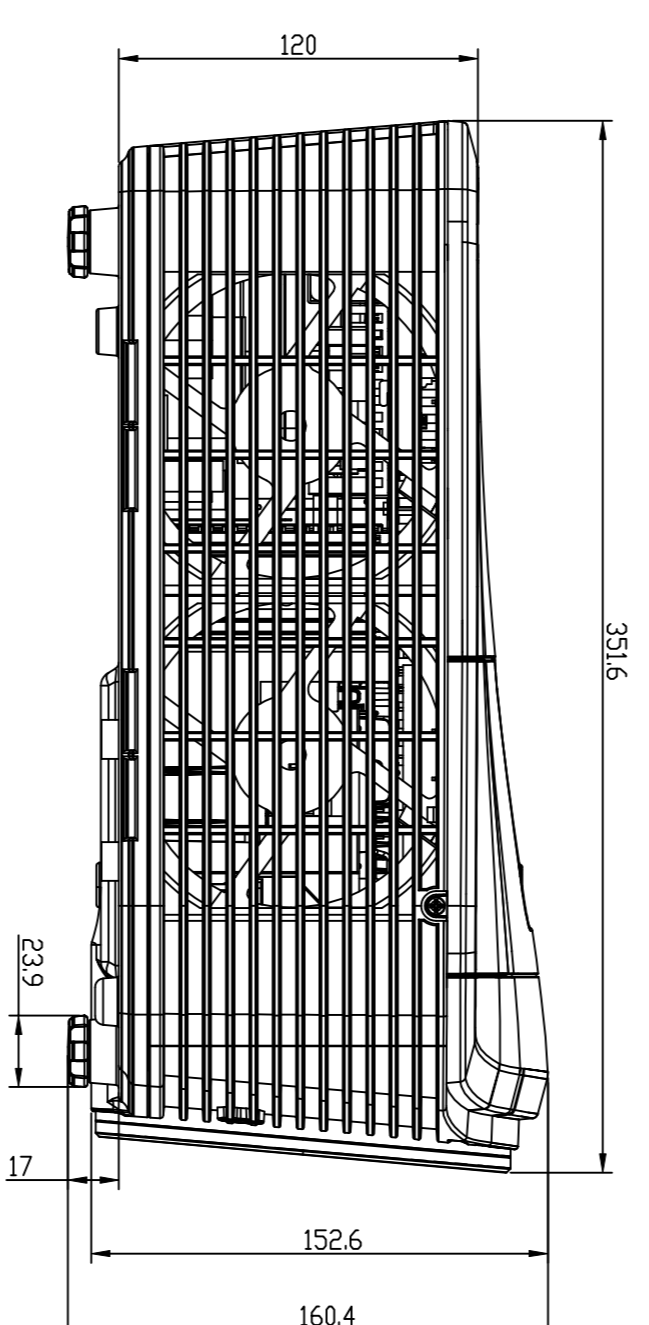
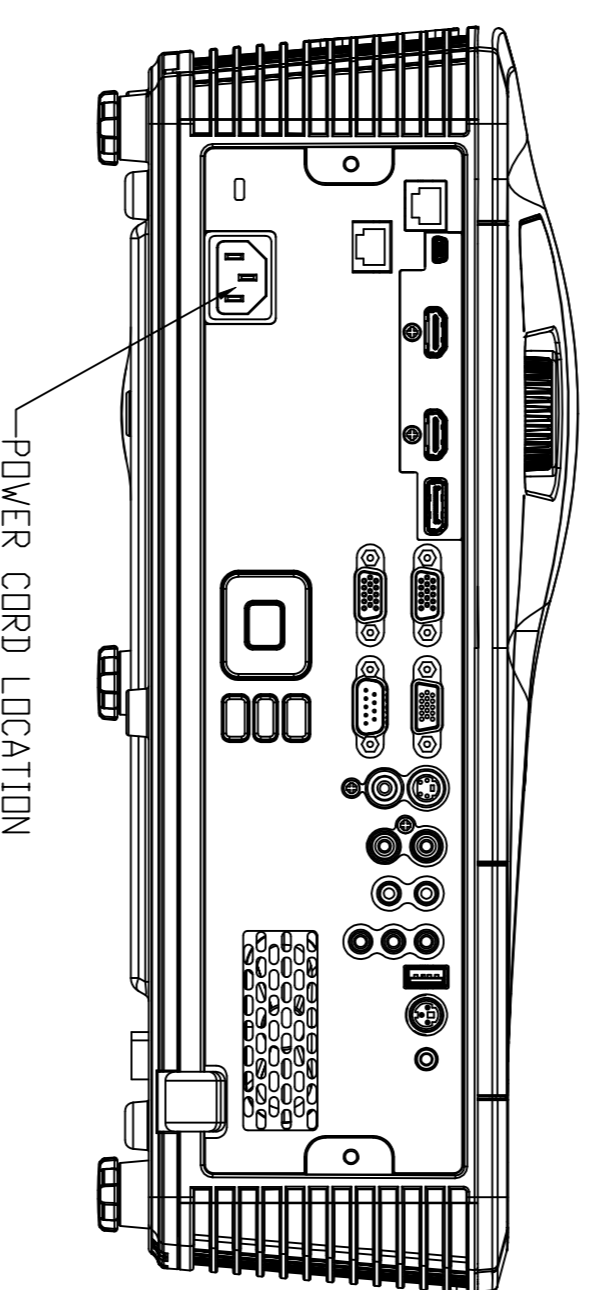


SCALE 2:5



GENERAL NOTE:
 1) MASS: 5.98 Kg
 2) OPERATING TEMPERATURE RANGE:
 5°C-40°C @ 0-2,500 FEET
 5°C-35°C @ 2,500-5,000 FEET
 5°C-30°C @ 5,000-10,000 FEET
 3) POWER INPUT: 100V-240V, 50HZ/60HZ, 51A

REV	DATE	BY	CHKD	DESCRIPTION
A	08/27/28	JEF	JUS	FORMAL RELEASE